



**GREWIN INDUSTRIAL GROUP CO.,LTD.**

**TEL/WhatsApp: +86 18622096679**

**Mail: admin@coilwindingmachinechina.com**

**Web:www.coilwindingmachinechina.com**



WhatsApp



WeChat

**NAME: GWPLC-880A Automatic Winding Machine**



**GREWIN INDUSTRIAL GROUP CO.,LTD.**

**Add: The fourth floor A-A3 zone aviation business area,Dongli Distr,Tianjin,China.**



**GREWIN INDUSTRIAL GROUP CO.,LTD.**

**TEL/WhatsApp: +86 18622096679**

**Mail: admin@coilwindingmachinechina.com**

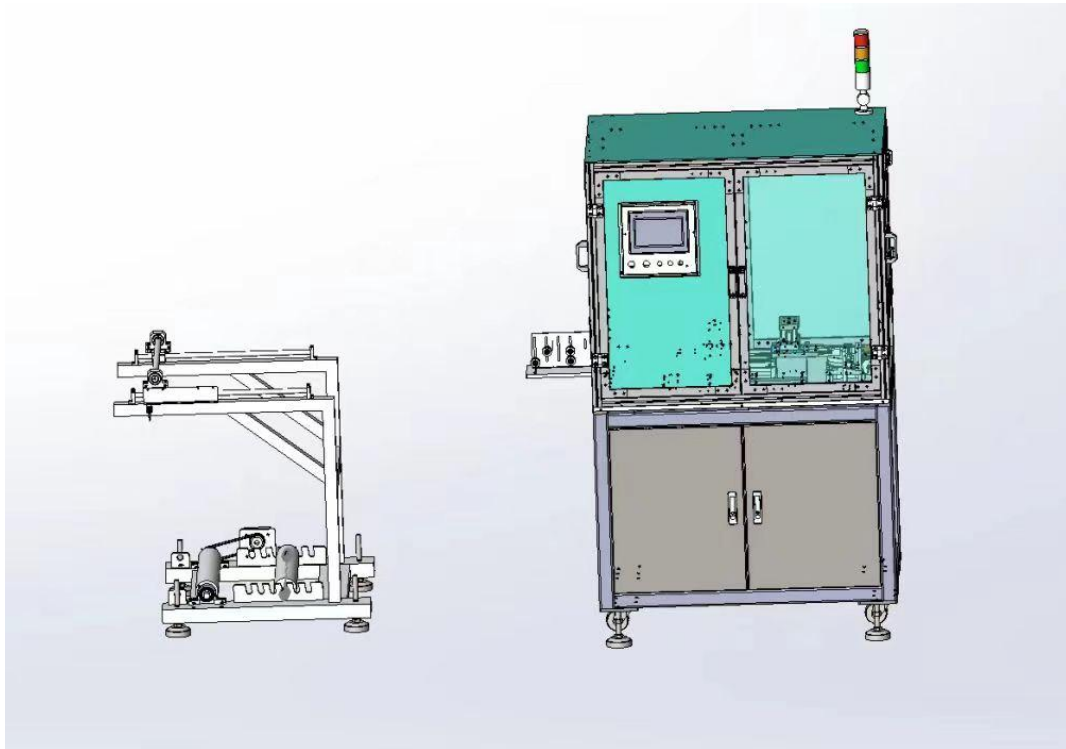
**Web:www.coilwindingmachinechina.com**



WhatsApp



WeChat



## **SPECIFICATION:**

1. Compatible wire diameter : Small machine 0-12 square/Large machine 10-50 square.
2. The whole set of control system is Open CNC System.
3. The replacement jig can be compatible with multiple models.
4. Pneumatic components use AirTAC or the same level;
5. The overall equipment meets the safety production requirements.
6. The length of the equipment host is 1000, the width is 700, the height is 1600, and the space occupied by the discharge rack is 1500, and the width is 700. The whole machine occupies a space of 2500\*700 units MM. The overall weight of the equipment is 300KG.

**GREWIN INDUSTRIAL GROUP CO.,LTD.**

**Add: The fourth floor A-A3 zone aviation business area, Dongli Distr, Tianjin, China.**



**GREWIN INDUSTRIAL GROUP CO.,LTD.**

**TEL/WhatsApp: +86 18622096679**

**Mail: admin@coilwindingmachinechina.com**

**Web:www.coilwindingmachinechina.com**



WhatsApp



WeChat

**Equipment Module - Equipment Description:**

**Description of main accessories:**

Power supply	Taiwan or domestic first-line	Pneumatic components	Air TAC or equivalent
Module	Baichuan Precision	Control system	Open CNC System
Working voltage	220V/50HZ	Power	1300W

**ADVANTAGES:**

Complete range of articles, large range of wire diameter, Multipurpose.

Good compatibility, parts are interchangeable.

High stability, part quality guarantee.

High production efficiency, no wire breaking at high speed winding.

Easy to operate, High learnability.

Enquiries can be quoted one day service.

Automatic Winding Machine has Complete specifications and data.

**GREWIN INDUSTRIAL GROUP CO.,LTD.**

**Add: The fourth floor A-A3 zone aviation business area,Dongli Distr,Tianjin,China.**



**GREWIN INDUSTRIAL GROUP CO.,LTD.**

**TEL/WhatsApp: +86 18622096679**

**Mail: admin@coilwindingmachinechina.com**

**Web:www.coilwindingmachinechina.com**



WhatsApp



WeChat

## **PRACTICAL APPLICATION :**

### **TRAINING CUSTOMER TO OPERATE WINDING MACHNE :**

1.All service engineers with 10 years experience are gotten special technology training, who can deal with various breakdown problem.

2.Guide the user to use accurately and how to maintain the Automatic Toroid Coil Winding Machine .

Provide free consultation about production process technology of electronic products.

3.In order to guarantee the machine used normally, we'd have training on how to operate, use and maintain our product by English manual, video, guiding on line.



**GREWIN INDUSTRIAL GROUP CO.,LTD.**

**Add: The fourth floor A-A3 zone aviation business area,Dongli Distr,Tianjin,China.**



**GREWIN INDUSTRIAL GROUP CO.,LTD.**

**TEL/WhatsApp: +86 18622096679**

**Mail: admin@coilwindingmachinechina.com**

**Web:www.coilwindingmachinechina.com**



WhatsApp



WeChat

## PACKAGING:

Packaging Material: Carton/Wooden case with foam inside.

1.General package(Paper carton or plastic bag): For small equipped parts for Toroidal Transformer Winding

Machine , Package it with form and pack paper to guarantee unbroken during the transport.

2.Wooden case package: For larger scale Toroidal Winding machine ,we have special skilled

carpenter, who would make the proper wooden case with exact thickness,density,length. The up arrow ↑marked on the outer wooden case. Buffer material would be put in the wooden case to prevent crack and shock.



**GREWIN INDUSTRIAL GROUP CO.,LTD.**

**Add: The fourth floor A-A3 zone aviation business area,Dongli Distr,Tianjin,China.**



**GREWIN INDUSTRIAL GROUP CO.,LTD.**

**TEL/WhatsApp: +86 18622096679**

**Mail: admin@coilwindingmachinechina.com**

**Web:www.coilwindingmachinechina.com**



WhatsApp



WeChat

**FACTORY:**

We-GREWIN INDUSTRIAL GROUP is expert in winding machines lines for 28Years. Our Grewin have ISO9001:2015,CE approvals,Machines'Patents,"high-tech enterprises"by th e government.



**GREWIN INDUSTRIAL GROUP CO.,LTD.**

**Add: The fourth floor A-A3 zone aviation business area,Dongli Distr,Tianjin,China.**